

## ACCUTRAK™ ROTARY POSITION MONITORS

INTRINSICALLY SAFE – ATEX/IEC

Fully integrated rotary valve position monitors that are certified to intrinsically safe standards. They offer a choice of enclosure materials and switching options



### FEATURES

- Intrinsically Safe design meeting a wide range of worldwide approvals including, Russian CUTR, Korean KOSHA and Chinese NEPSI.
- Inductive NAMUR sensor rated for IS applications.
- Magnum switches with rhodium contacts for use with low power I/O's for longer contact life.
- Strong durable Beacon™ offers 360° visual indication in a choice of styles and colors.
- Touch set cams are hand adjustable, spring loaded and self-locking providing quick calibration of position switches and sensors.
- Terminal strips are pre-wired and numbered with generous working space for ease of use.
- Additional conduit for easy field wiring and mounting accessories as standard.
- Wide range of switches and sensors.
- Position transmitter option.
- Switch stabilisation plate.
- Standardized mounting pattern for easy adaptation to common bracketry.
- Range of drive shaft options.
- Engineered resin enclosure is robust, lightweight and provides exceptional chemical, UV and impact resistance.
- Aluminum enclosures with ultra-low copper content (0.2% maximum) ensure robust performance.
- Rugged CF8M / 316 stainless steel enclosures for coastal / marine applications.
- IP rated plugs certified where applicable.

### TECHNICAL DATA

#### Agency approvals

Area classification (ATEX/IEC)

3000 series

Ex II 1GD  
Exia IIC T\* Ga  
Exia IIIC T120°C Da IP6X

3300/8300 Series

Ex II \*GD  
Exia II\* T\* G\*  
Ex t IIIC T135°C Da IP6X

Enclosure standards (IEC)

All enclosures

IP66/67

3000/3300 Series resin enclosures

Optional IP68 version available

#### Switches

All models

V3 SPDT mechanical switches, gold plated contacts  
V3 inductive NAMUR proximity sensors  
Magnum, SPDT (hermetically sealed proximity type) switches with rhodium contacts

#### Enclosures

All models

Engineered resin  
Aluminum  
Stainless steel

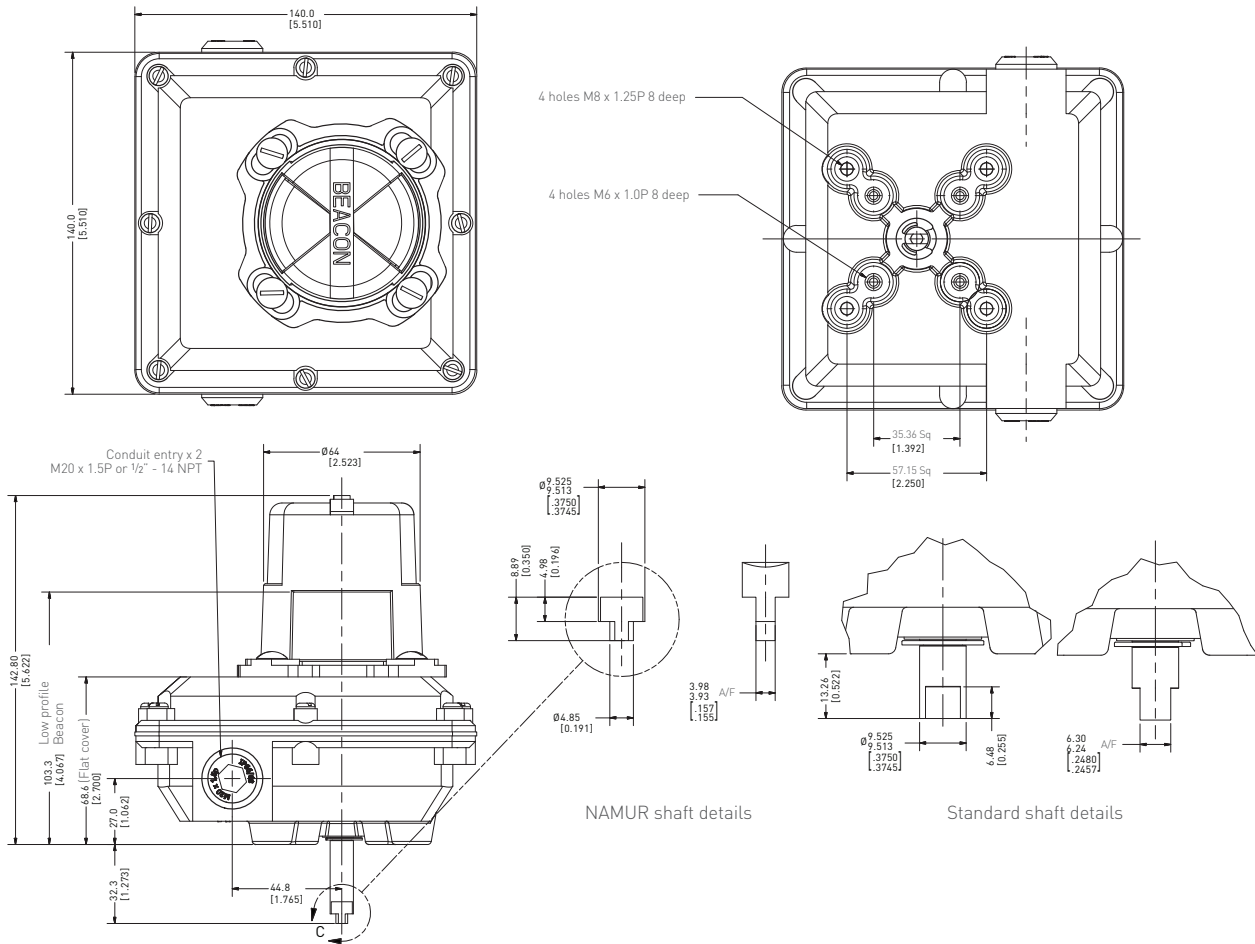
### GENERAL APPLICATION

AccuTrak position monitors are ideal for manual and automated rotary valves. They provide consistent and accurate valve monitoring in a compact unit which can be mounted directly or via a valve actuator.

# ACCUTRAK™ ROTARY POSITION MONITORS

## INTRINSICALLY SAFE – ATEX/IEC

### 3000 SERIES RESIN ENCLOSURE DIMENSIONS



Dimensions in mm, imperial dimensions (inches) in parenthesis

### TECHNICAL SPECIFICATIONS

#### Materials of construction

Enclosure	Engineered resin
Shaft and hardware	Stainless steel
Bushing	Nylon
Beacon visual indicator	Co-polyester

#### Drive shaft

Westlock standard	Double-D with 1/4" A/F
NAMUR standard	NAMUR standard VDI/VDE 3845

#### Available switches

	V3 SPDT mechanical switches, gold plated contacts
	V3 inductive NAMUR proximity sensors
	Magnum, SPDT (hermetically sealed proximity type) switches with rhodium contacts

### NOTES

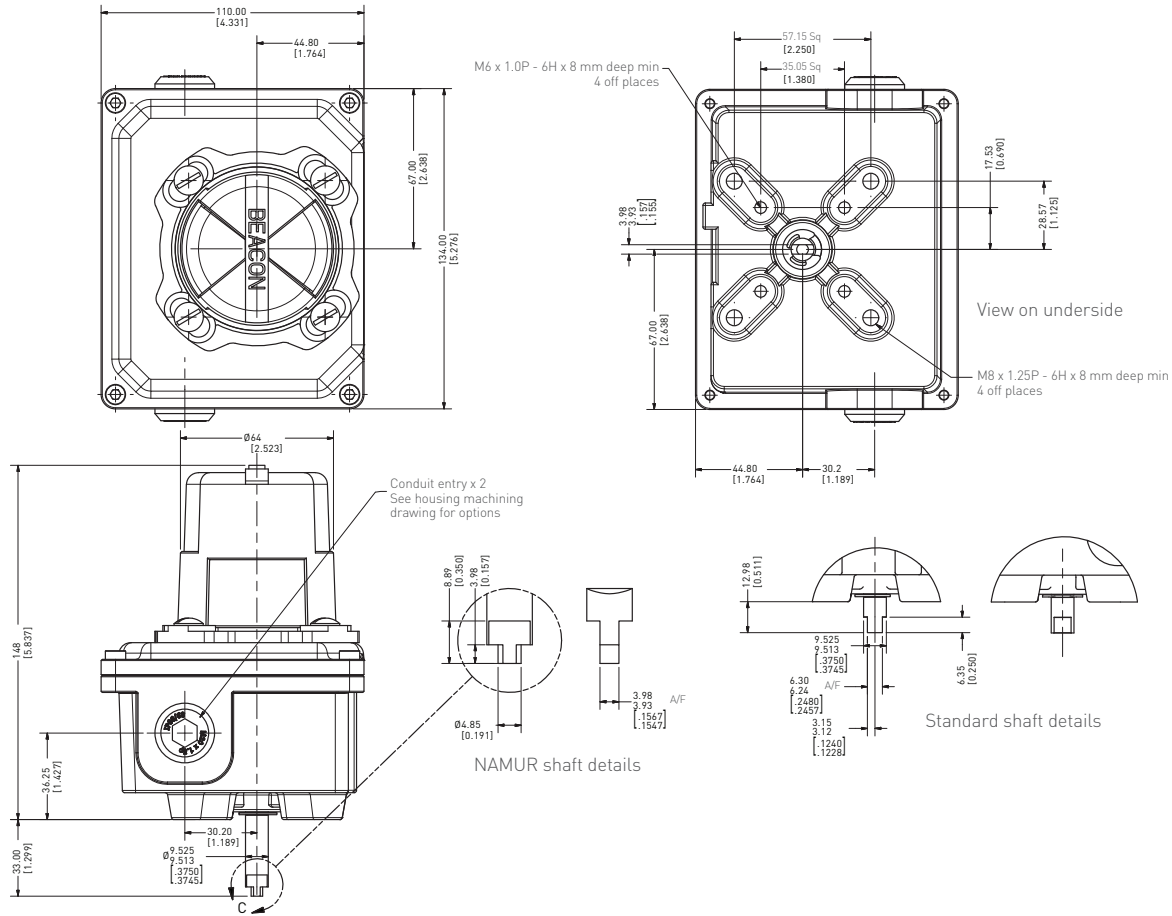
1. See selection guide for standard conduit entries
2. See switches & sensors data sheet for further information
3. Please consult your sales office for any other requirements



# ACCUTRAK™ ROTARY POSITION MONITORS

## INTRINSICALLY SAFE – ATEX/IEC

### 3000 SERIES ALUMINUM AND STAINLESS STEEL ENCLOSURE DIMENSIONS



Dimensions in mm, imperial dimensions (inches) in parenthesis

### TECHNICAL SPECIFICATIONS

#### Materials of construction

Enclosure	Aluminum with powder coat finish Stainless steel with electropolished finish
Shaft and hardware	Stainless steel
Bushing	Oil impregnated bronze (aluminum enclosure) PTFE (stainless steel enclosure)
Beacon visual indicator	Co-polyester

#### Drive shaft

Westlock standard	Double-D with 1/4" A/F
NAMUR standard	NAMUR standard VDI/VDE 3845

#### Available switches

	V3 SPDT mechanical switches, gold plated contacts
	V3 inductive NAMUR proximity sensors
	Magnum, SPDT (hermetically sealed proximity type) switches with rhodium contacts

### NOTES

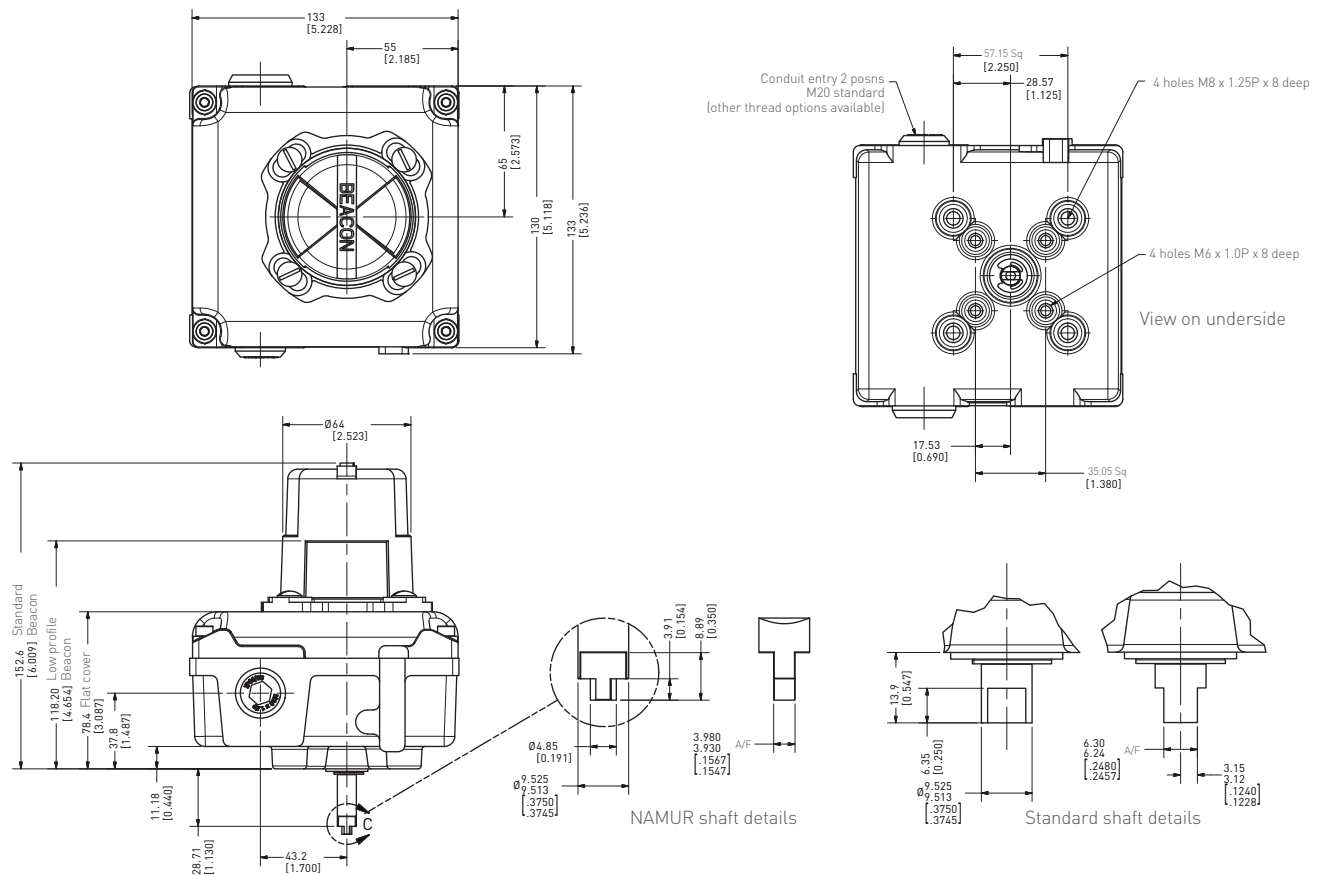
1. See selection guide for standard conduit entries
2. See switches & sensors data sheet for further information
3. Please consult your sales office for any other requirements



# ACCUTRAK™ ROTARY POSITION MONITORS

## INTRINSICALLY SAFE – ATEX/IEC

### 3300 SERIES RESIN ENCLOSURE DIMENSIONS



Dimensions in mm, imperial dimensions (inches) in parenthesis

### TECHNICAL SPECIFICATIONS

#### Materials of construction

Enclosure	Engineered resin
Shaft and hardware	Stainless steel
Bushing	Nylon
Beacon visual indicator	Co-polyester

#### Drive shaft

Westlock standard	Double-D with 1/4" A/F
NAMUR standard	NAMUR standard VDI/VDE 3845

#### Available switches

V3 SPDT mechanical switches, gold plated contacts
V3 inductive NAMUR proximity sensors
Magnum, SPDT (hermetically sealed proximity type) switches with rhodium contacts

### NOTES

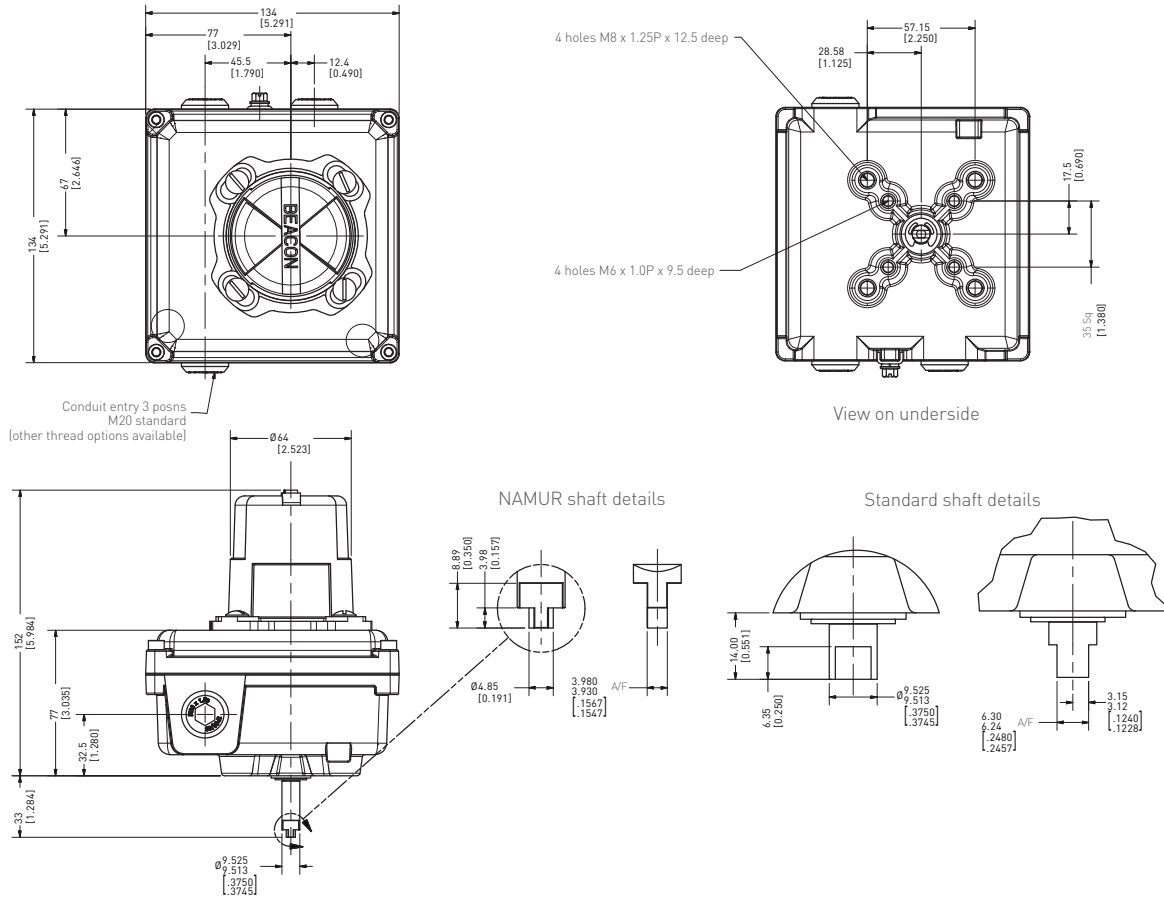
1. See selection guide for standard conduit entries
2. See switches & sensors data sheet for further information
3. Please consult your sales office for any other requirements



# ACCUTRAK™ ROTARY POSITION MONITORS

## INTRINSICALLY SAFE – ATEX/IEC

### 3300 SERIES ALUMINUM AND STAINLESS STEEL ENCLOSURE DIMENSIONS



Dimensions in mm, imperial dimensions (inches) in parenthesis

### TECHNICAL SPECIFICATIONS

#### Materials of construction

Enclosure	Aluminum with powder coat finish Stainless steel with electropolished finish
Shaft and hardware	Stainless steel
Bushing	Oil impregnated bronze (aluminum enclosure) PTFE (stainless steel enclosure)
Beacon visual indicator	Co-polyester

#### Drive shaft

Westlock standard	Double-D with 1/4" A/F
NAMUR standard	NAMUR standard VDI/VDE 3845

#### Available switches

	V3 SPDT mechanical switches, gold plated contacts
	V3 inductive NAMUR proximity sensors
	Magnum, SPDT (hermetically sealed proximity type) switches with rhodium contacts

### NOTES

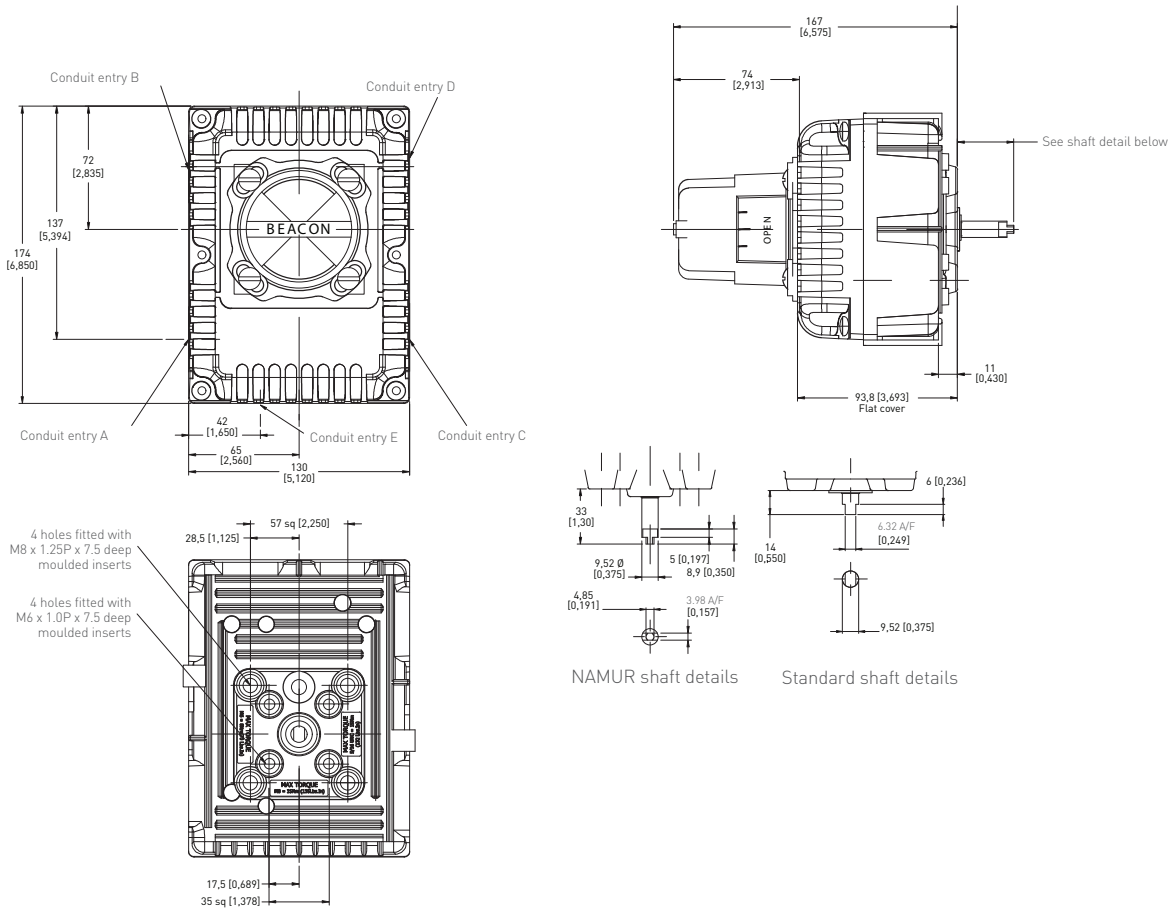
1. See selection guide for standard conduit entries
2. See switches & sensors data sheet for further information
3. Please consult your sales office for any other requirements



# ACCUTRAK™ ROTARY POSITION MONITORS

## INTRINSICALLY SAFE – ATEX/IEC

### 8300 SERIES RESIN ENCLOSURE DIMENSIONS



Dimensions in mm, imperial dimensions (inches) in parenthesis

### TECHNICAL SPECIFICATIONS

#### Materials of construction

Enclosure	Engineered resin
Shaft and hardware	Stainless steel
Bushing	Nylon
Beacon visual indicator	Co-polyester

#### Drive shaft

Westlock standard	Double-D with 1/4" A/F
NAMUR standard	NAMUR standard VDI/VDE 3845

#### Available switches

	V3 SPDT mechanical switches, gold plated contacts
	V3 inductive NAMUR proximity sensors
	Magnum, SPDT (hermetically sealed proximity type) switches with rhodium contacts

### NOTES

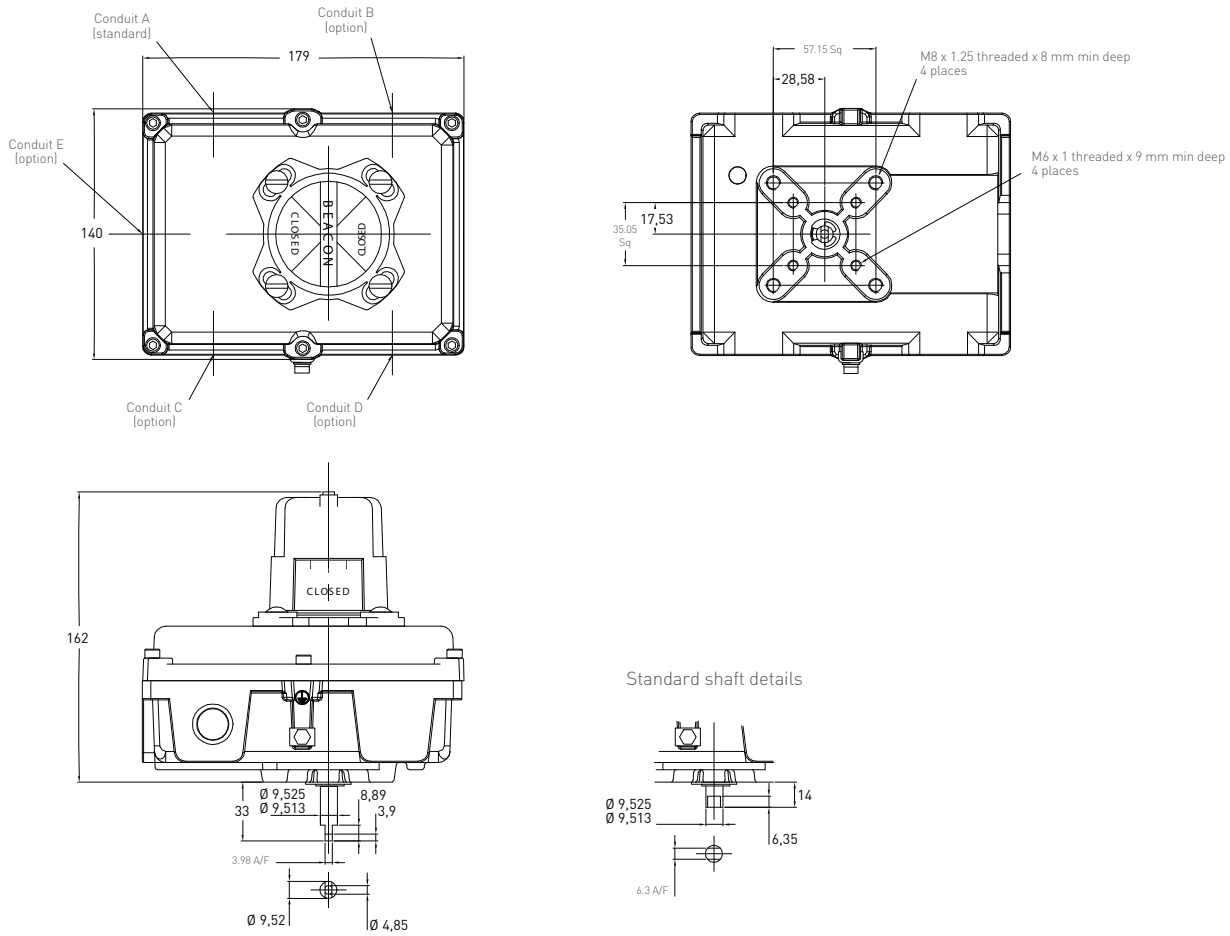
1. See selection guide for standard conduit entries
2. See switches & sensors data sheet for further information
3. Please consult your sales office for any other requirements



# ACCUTRAK™ ROTARY POSITION MONITORS

## INTRINSICALLY SAFE – ATEX/IEC

### 8300 SERIES ALUMINUM AND STAINLESS STEEL ENCLOSURE DIMENSIONS



Dimensions in mm, imperial dimensions (inches) in parenthesis

### TECHNICAL SPECIFICATIONS

#### Materials of construction

Enclosure	Aluminum with powder coat finish Stainless steel with electropolished finish
Shaft and hardware	Stainless steel
Bushing	Oil impregnated bronze (aluminum enclosure) PTFE (stainless steel enclosure)
Beacon visual indicator	Co-polyester

#### Drive shaft

Westlock standard	Double-D with 1/4" A/F
NAMUR standard	NAMUR standard VDI/VDE 3845

#### Available switches

	V3 SPDT mechanical switches, gold plated contacts
	V3 inductive NAMUR proximity sensors
	Magnum, SPDT (hermetically sealed proximity type) switches with rhodium contacts

### NOTES

1. See selection guide for standard conduit entries
2. See switches & sensors data sheet for further information
3. Please consult your sales office for any other requirements

# ACCUTRAK™ ROTARY POSITION MONITORS

## MODELS 3000, 3300 AND 8300 SELECTION GUIDE

<b>Housing</b>												
30	3000											
33	3300											
83	8300											
<b>Cover style</b>												
4	With Beacon											
6	Flat cover											
<b>Switch type</b>												
5	Microswitch SPDT contacts					9	Magnum XT90 (rhodium contact SPDT switch)					
7	Inductive NAMUR sensor					0	No switches fitted					
<b>Material</b>												
A	Aluminum											
R	Engineered resin											
S	Stainless steel											
<b>Beacon type and color</b>												
BY	Black/Yellow					B1	BM3-1 pattern 90°					
LY	Black/Yellow low profile					B3	BM3-3 pattern 90°					
AR	ANSI Red/White					B5	BM3-5 pattern 90°					
GR	Green/Red					B7	BM3-7 pattern 180°					
00	No Beacon fitted					B9	BM3-9 pattern 180°					
<b>Drive shaft type</b>												
S	Westlock standard – ¼" A/F (6.32 mm)											
N	NAMUR standard shaft – VDI/VDE 3845											
*	Non-standard (consult sales office)											
<b>Ancillary options</b>												
000	No ancillary options											
***	Non-standard material and build (consult sales office)											
<b>Switch/sensor quantity</b>												
0	No switch/sensor fitted											
1	One switch/sensor											
2	Two switches/sensors											
3	Three switches/sensors (consult sales office for 3300/8300 series only)											
4	Four switches/sensors (consult sales office for 3300/8300 series only)											
<b>Conduit entries supplied</b>												
2	Two entries – All enclosures											
3	Three entries (consult sales office for 3000/3300 series)											
4	Four entries (8300 series only)											
5	Five entries (consult sales office for 8300 series only)											
<b>Unit specification</b>												
AAA	Standard build- M20 conduit entries											
ADZ	¾" NPT conduit entries											
DAV	M25 conduit entries											
FAN	½" NPT conduit entries											
***	Non-standard material (consult sales office)											
<b>Certification</b>												
A	ATEX & IECEx											
*	Other options (consult sales office)											
<b>Revision</b>												
R*	Internal revision #											
30	4	5	R	BY	N	000	2	2	AAA	A	R1	= Model number <b>3045RBYN00022AAA-AR1</b>



### NOTES

1. Please contact your sales office for guidance on selecting the best possible combination for your control and monitoring requirements.
2. See Hazardous area classification technical bulletin for further information on global standards.

**WESTLOCK CONTROLS**  
 280 N. Midland Avenue, Ste 258  
 Saddle Brook, NJ 07663  
 United States

Crane Co., and its subsidiaries cannot accept responsibility for possible errors in catalogues, brochures, other printed materials, and website information. Crane Co. reserves the right to alter its products without notice, including products already on order provided that such alteration can be made without changes being necessary in specifications already agreed. All trademarks in this material are the property of the Crane Co. or its subsidiaries. The Crane and Crane brands logotype (WESTLOCK CONTROLS®) are registered trademarks of Crane Co. All rights reserved.