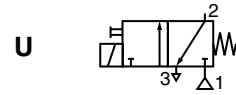




SOLENOID VALVES

direct operated, poppet type
flameproof enclosure

Ex d IIC T6-T5 Gb, Ex t IIIC T85°C-T100°C Db IP65
in-line, 1/2



3/2
Series
126

FEATURES

- Solenoid valves with explosionproof operator MB type for use in potentially explosive atmospheres according to ATEX Directive 94/9/EC
EC type examination certificate no.: **LCIE 03 ATEX 6059 X**
IECEx Certificate of Conformity no.: **IECEX LCI 09.0001X**
- Compliance with the Essential Health and Safety Requirements has been assured by compliance with the International and European Standards EN-IEC 60079-0, EN-IEC 60079-1 and EN 61241-1
- Easy electrical connection with screw terminals
- Wide range of applications, particularly at low temperatures
- The solenoid valves have TÜV certified IEC 61508 Functional Safety data and can be used up to SIL 4

GENERAL

Differential pressure 0 to 10 bar [1 bar = 100 kPa]
Response time 30 - 50 ms

fluids (*)	temperature range (TS)	seal materials (*)
air, inert gas	- 40°C to + 60°C (2)	VMQ (silicone)

MATERIALS IN CONTACT WITH FLUID

(*) Ensure that the compatibility of the fluids in contact with the materials is verified

	Brass body	Stainless steel body
Body	Brass	AISI 316L SS
Internal parts	Stainless steel, brass	Stainless steel
Springs	Stainless steel	Stainless steel
Seals	VMQ	VMQ

OTHER MATERIALS

Solenoid enclosure	Aluminium
Cover screws	Steel
Core tube	Stainless steel
Core and plugnut	Stainless steel
Nameplate	Aluminium
Cable gland	Nickel-plated brass or stainless steel
Exhaust protector	Stainless steel

ELECTRICAL CHARACTERISTICS

Coil insulation class	H	SAFETY CODE	Ex d IIC T6-T5 Gb
Coil connection	Screw terminals		Ex t IIIC T85°C-T100°C Db IP65
Electrical safety	IEC 335		
Electrical enclosure protection	Moulded IP65 (EN 60529)		
Standard voltages	DC (=) : 24V - 48V		
(Other voltages and 60 Hz on request)	AC (~) : 24V - 48V - 115V - 230V / 50 Hz		

prefix option	power ratings				operator ambient temperature range (TS) (2)	safety code	replacement coil		type (1)
	inrush ~	holding ~	hot/cold =	=					
	(VA)	(VA)	(W)				(W)		
MB	35	15	19	12 / 15	-40 to +65	Ex d IIC Gb Ex t IIIC Db IP65	230 V/50 Hz 43004053	24 V = 43002091 48 V = 43002098	01

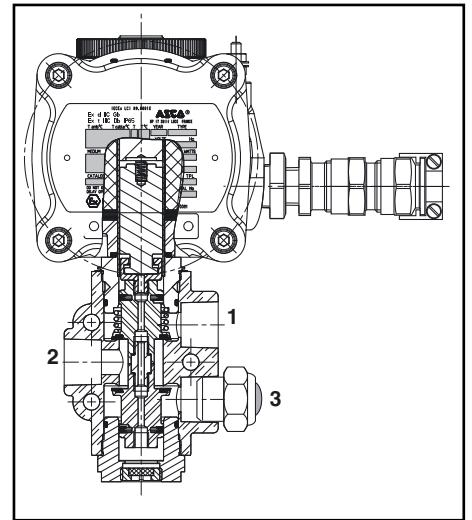
(1) Refer to the dimensional drawings on the following page.

operator DC (=)			
Pn	max. ambient temp. °C		
	surface temperature		
	T6	T5	
(W)	85°C	100°C	
15	50	65	

operator AC (~)			
Pn	max. ambient temp. °C (2)		
	surface temperature		
	T6	T5	
(W)	85°C	100°C	
19	50	65	

SPECIFICATIONS

pipe size	orifice size		flow coefficient Kv				operating pressure differential (bar)		power coil (W)		catalogue number		
	1 → 2	2 → 3	1 → 2	2 → 3			min.	max. (PS)		without manual operator with exhaust protector and 1/2 NPT cable gland			
	(mm)	(mm)	(m³/h)	(l/min)	(m³/h)	(l/min)		~	=			~	=
NPT	(mm)	(mm)	(m³/h)	(l/min)	(m³/h)	(l/min)							
U - Universal, brass body, VMQ seals (with nickel-plated brass cable gland)													
1/2	10	10	1,6	27	1,5	25	0	10	10	-	15	-	12660001
U - Universal, stainless steel body, VMQ seals (with nickel-plated brass cable gland)													
1/2	10	10	1,6	27	1,5	25	0	10	15	-	15	-	12660020
U - Universal, stainless steel body, VMQ seals (with stainless steel cable gland)													
1/2	10	10	1,6	27	1,5	25	0	10	10	19	15	12660040	12660008

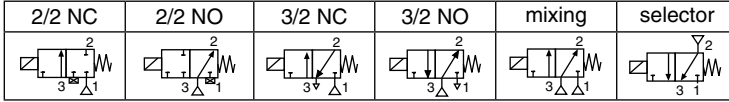


OPTIONS

- Marine paint/anti-corrosive or dust environments (solenoid operator enclosure only)

INSTALLATION

- Always install solenoid valves with body vertical and solenoid upward
- IECEx-ATEX cable gland, 3/4 NPT, pre-installed on solenoid valve, supplied with cable clamp)
- Can be used for the following functions, depending on how the ports are connected:



Can be used in ambient temperatures up to +70°C without SIL qualification, max. operating pressure 8 bar.

- Solenoid valves have 3 mounting holes in body
- Threaded pipe connection is standard NPT (ANSI 1.20.3)
- Valves should be provided with a specific exhaust protector
- Installation/maintenance instructions are included with each valve

SPARE PARTS KIT & ACCESSORIES

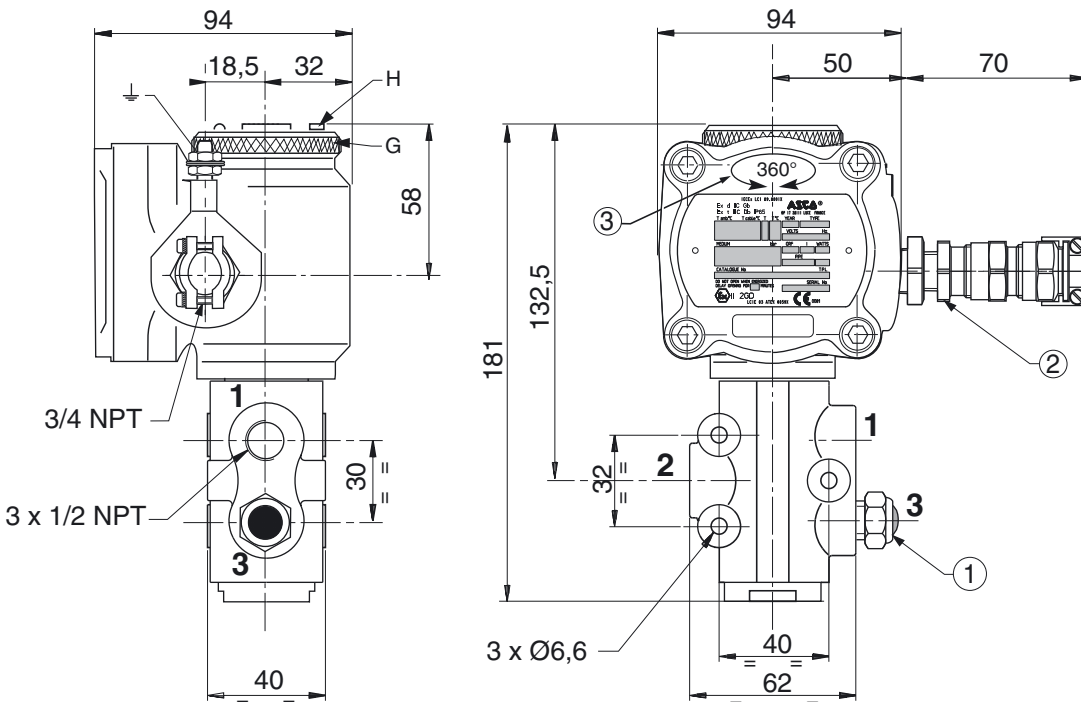
catalogue number	spare parts kit no.	
	24 V DC	48 V DC
12660001/12660020/12660008	97701930	97701931

DIMENSIONS (mm), WEIGHT (kg)



TYPE 01

Operator type "MB"
Aluminium
EN-IEC: 60079-0, 60079-1 and 61241-1
Ex d IIC T6-T5 Gb - Ex t IIIC T85°C-T100°C Db IP65



type	operator type	weight
01	MB	2,1

- ① Exhaust protector
- ② Explosionproof cable gland to IECEx-ATEX with clamp
- ③ To change the orientation of the solenoid operator relative to the ports, the screw (H) and the nut of the cover (G) must be loosened.